

AC Hydraulic Power Unit, Group 30A-N (NEMA Motor)

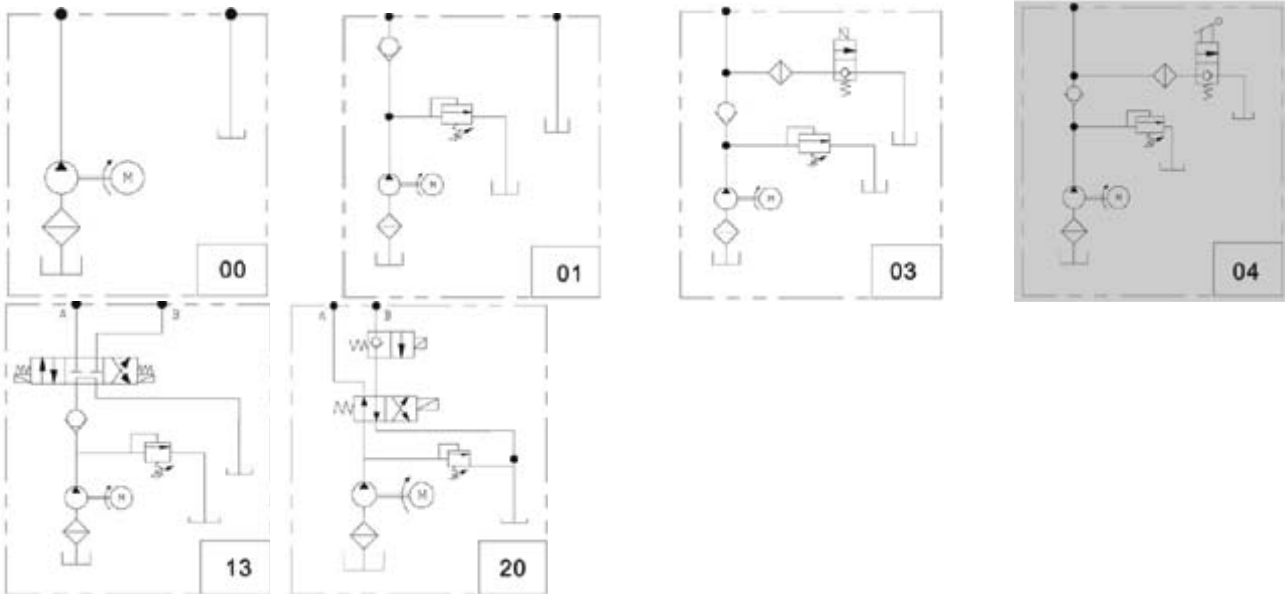
Example Model



Example Model

Sample Picture
10AN04-002

Typical Oil Circuits



Typical Outline Dimension

Typical Outline Dimension

