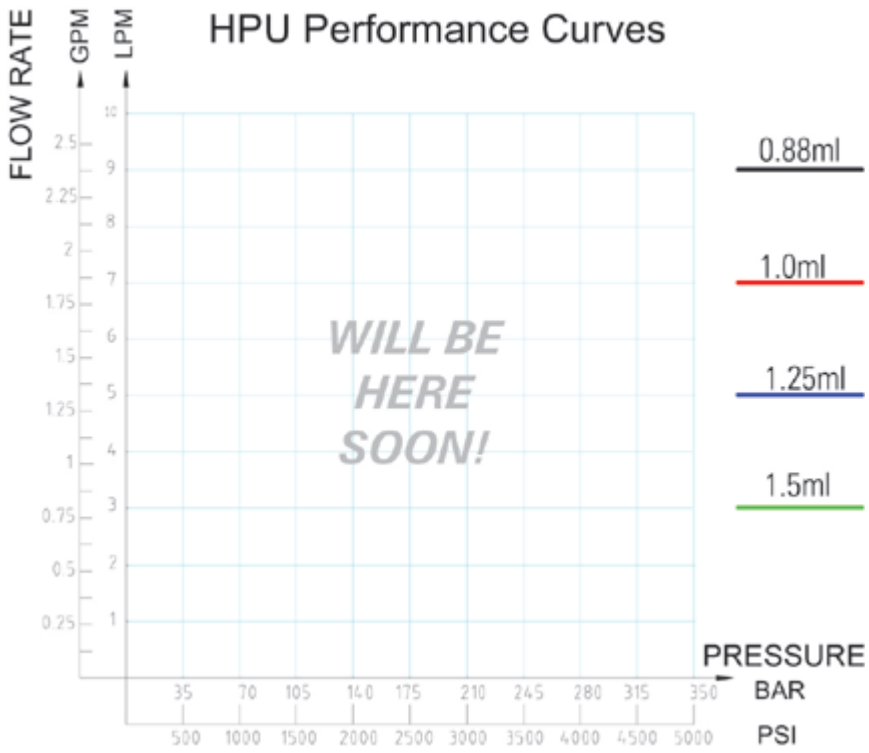


**DC Hydraulic Power Unit, Group 08D**

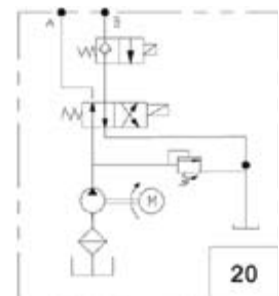
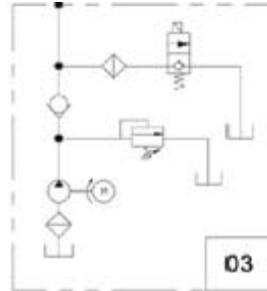
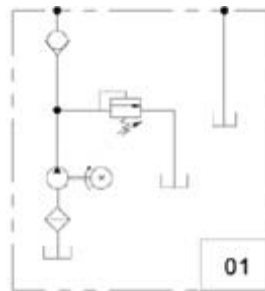
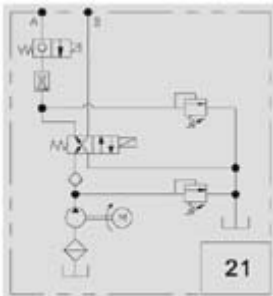


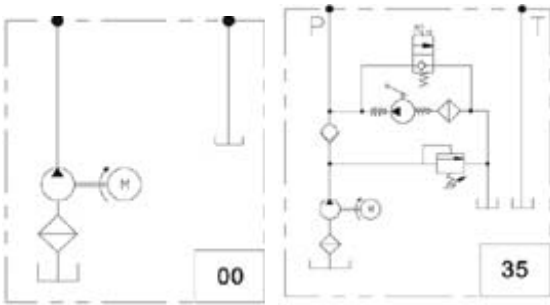
**Example Model**



P/N: 03D21-001  
Circuit #21

**Typical Oil Circuits of Hydraulic DC Power Unit, Group 08D**





**Typical Outline Dimension**

